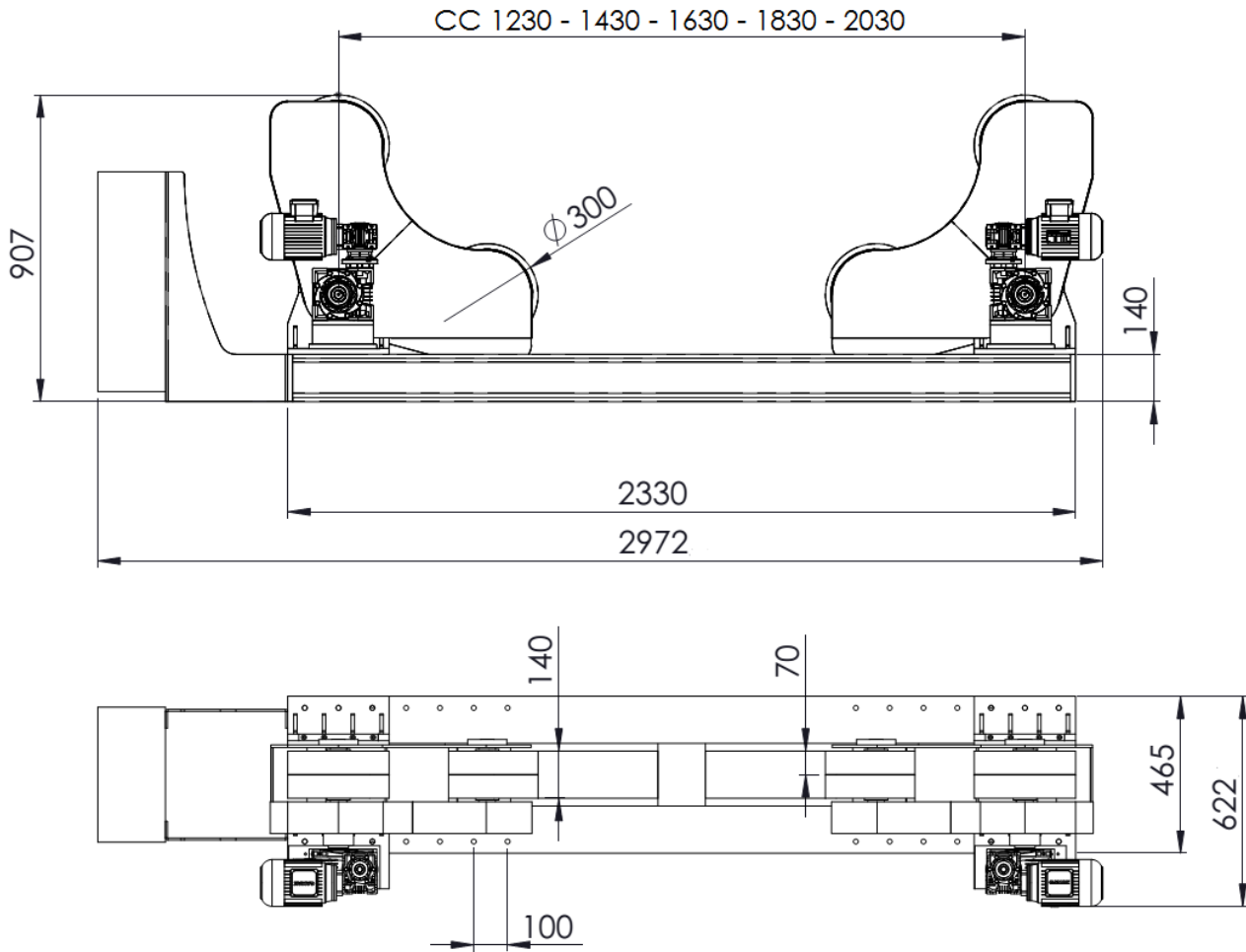
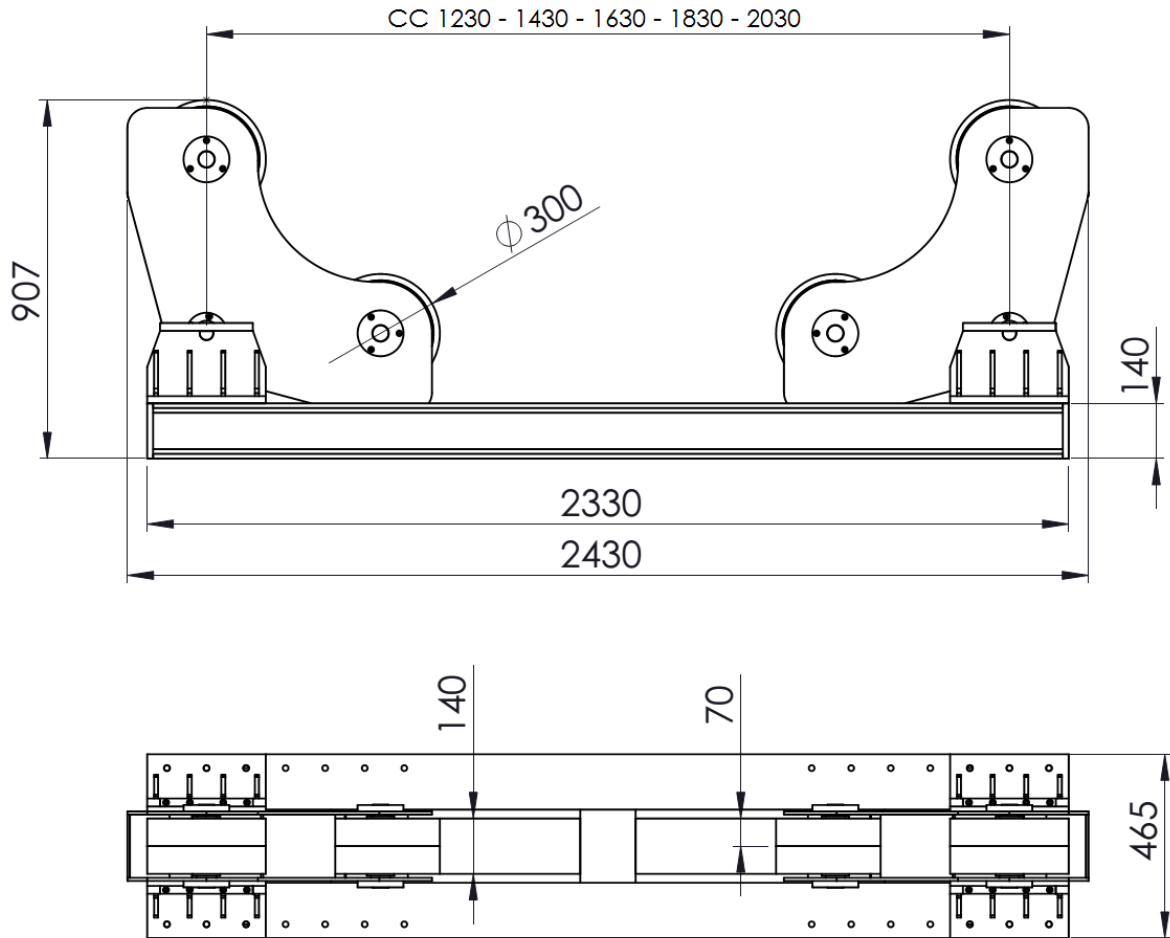


Technical Specifications – 5 Ton / DRIVE



Loading Capacity	2,5 ton
Rotation Capacity	5 ton
Vessel Size Min on 2 Wheels	Ø400mm @ 60° included angle, @ 1230mm CC
Vessel Size Minimum on 4 Wheels	Ø980mm @ 32° included angle, @ 1230mm CC
Vessel Size Maximum on 4 Wheels	Ø2040mm @ 90° included angle, @ 2030mm CC
Vessel Size Max. when self aligned	Ø4000mm @ 50° included angle, @ 2030mm CC
Roller Type and Size	Polyurethan Coating, 2x300mm Diameter – 2x70mmWidth
Rotation Speed	125mm – 1250 mm /min
Rotation Drive Motor	2x AC 0,37 kW Motor
Rotation Drive Control	Yaskawa, AC 0,75 kW Inverter
Travel Car(Rail Car)	No
Travel Car Speed	Not Available
Travel Car Drive	Not Available
Electrical Panel	Yes
Incoming Supply	380V/400V, 3Ph, 50Hz @ 5 – 50 Hz
Control Unit	Telemecanique hand pendant with 5 mt cable protected in flexible steel hose
Colour	RAL5005 – BLUE & RAL7032 – BEIGE / Texture Painting
Quantity	1 unit
Anti Creep	1 unit included

Technical Specifications – 5 Ton / IDLER



Loading Capacity	2,5 ton
Rotation Capacity	Not Available
Vessel Size Min on 2 Wheels	Ø400mm @ 60° included angle, @ 1230mm CC
Vessel Size Minimum on 4 Wheels	Ø980mm @ 32° included angle, @ 1230mm CC
Vessel Size Maximum on 4 Wheels	Ø2040mm @ 90° included angle, @ 2030mm CC
Vessel Size Max. when self aligned	Ø4000mm @ 50° included angle, @ 2030mm CC
Roller Type and Size	Polyurethan Coating, 2x300mm Diameter – 2x70mmWidth
Rotation Speed	Not Available
Rotation Drive Motor	Not Available
Rotation Drive Control	Not Available
Travel Car(Rail Car)	No
Travel Car Speed	Not Available
Travel Car Drive	Not Available
Electrical Panel	No
Incoming Supply	No
Control Unit	Telemecanique hand pendant with 5 mt cable protected in flexible steel hose
Colour	RAL5005 – BLUE & RAL7032 – BEIGE / Texture Painting
Quantity	1 unit
Anti Creep	Not Available